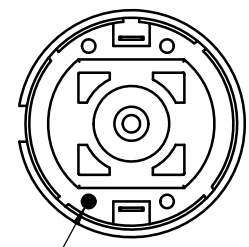
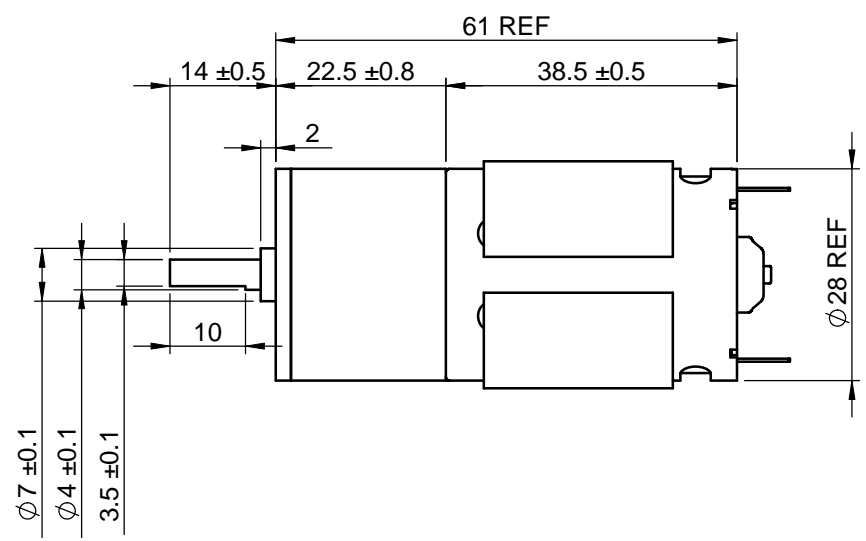
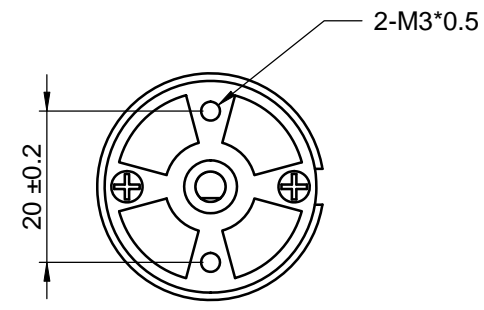


1 2 3 4 5 6

A

A

DIRECTION OF ROTATION



(此紅點為正極)

B

B

C

C

| | | | | | | | | | | | | | | | |
|-----------------|--------|---------|-------|-----------------------|--------|--------|------|---------|------------|--|------------------------------|-----------------|--------------------------------|----------|---|
| MODEL | | NO LOAD | | AT MAXIMUM EFFICIENCY | | | | | Genr Ratio | THIRD ANGLE PROJECTION ALL DIMENSION ARE IN MM (UNLESS OTHERWISE SPECIFIED) | 製圖 設計 審核 材料 完成時間 | JOANNE | Cheshire Electric Company, LLC | | |
| JR28-G0G1B190-1 | SPEED | CURRENT | SPEED | CURRENT | TORQUE | OUTPUT | EFF | Part No | | | | JR28-G0G1B190-1 | | | |
| NOMINAL | 24V DC | RPM | A | RPM | A | Kg-cm | W | % | 1:73.8 | 繪製比例: 1:1 | 2013/5/23 | Name | Gear motor | REV. NO. | A |
| | | 68 | 0.048 | 54 | 0.195 | 3.62 | 2.05 | 43.81 | | | | | | | |

1 2 3 4 5 6

D

D

1 2 3 4 5 6

A

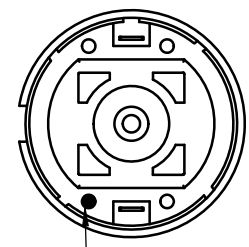
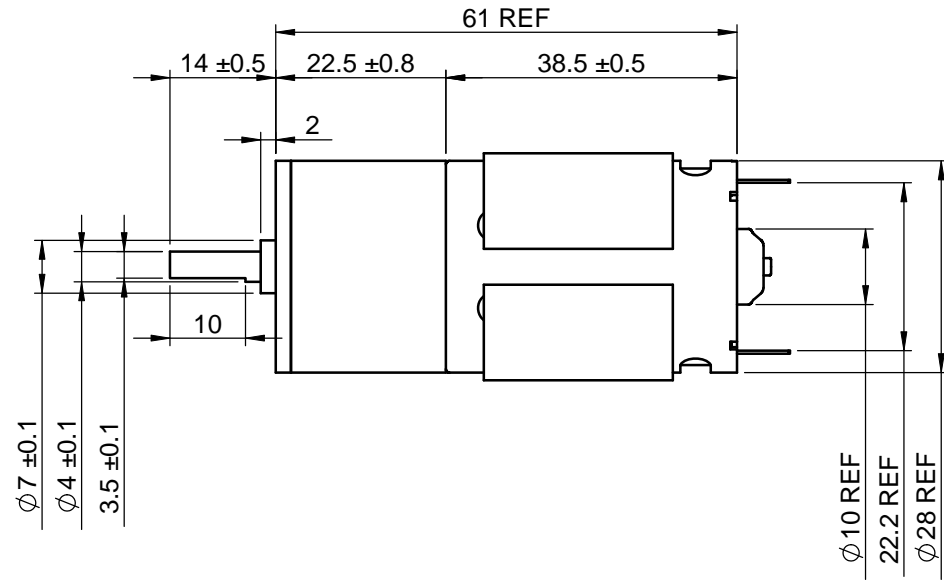
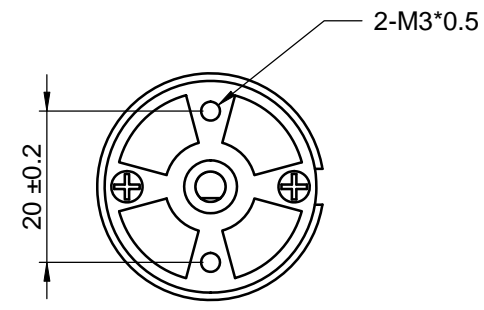
A

DIRECTION OF ROTATION



B

B



(此紅點為正極)

C

C

D

D

| | | | | | | | | | | | | | | | |
|-----------------|--------|---------|---------|-----------------------|---------|--------|--------|-------|------------|--|------------------------------|---------|--------------------------------|----------|---|
| MODEL | | NO LOAD | | AT MAXIMUM EFFICIENCY | | | | | Genr Ratio | THIRD ANGLE PROJECTION ALL DIMENSION ARE IN MM (UNLESS OTHERWISE SPECIFIED) | 製圖 設計 審核 材料 完成時間 | JOANNE | Cheshire Electric Company, LLC | | |
| JR28-G0G1B190-1 | | SPEED | CURRENT | SPEED | CURRENT | TORQUE | OUTPUT | EFF | | | | Part No | JR28-G0G1B190-1 | | |
| NOMINAL | 24V DC | RPM | A | RPM | A | Kg-cm | W | % | 1:73.8 | 繪製比例: 1:1 | 2013/5/23 | Name | Gear motor | REV. NO. | A |
| | | 68 | 0.048 | 54 | 0.195 | 3.62 | 2.05 | 43.81 | | | | | | | |

1 2 3 4 5 6